

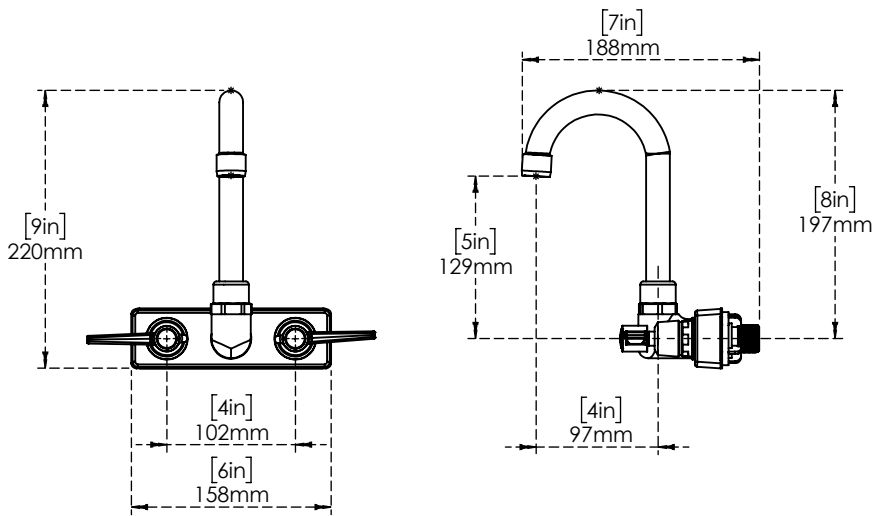
For Residential and Commercial Applications

Job Name _____
 Job Location _____
 Engineer _____
 Approval _____

Contractor _____
 Approval _____
 Contractor's P.O. No. _____
 Representative _____

Series:

Wall Mount Faucet with Blade Handles, 4" Centers, and 3 1/2" Gooseneck Spout
 C9177



Features & Benefits:

- 4" wall mount mixing faucet w/ chrome plated brass body
- 3 1/2" Gooseneck Spout
- 1.0 GPM aerator
- 4" wrist action handles w/ color coded indexes

Performance Data:

- Pressure: 20 - 125 psi [1.38 - 8.62 bar]
- Temperature: 40° F - 140° F [4.44 C - 60 C]
- 1.0 GPM Aerator

Optional Cartridges:

- Quarter-Turnw/ Spring Check valve
- Quarter-Turnw/ CheckValve

Product compliance:

- California proposition 65

Material : Lead Free Brass

Warranty: one years(Limited)

NOTICE

The information contained herein is not intended to replace the full product installation and safety information available or the experience of a trained product installer. You are required to thoroughly read all installation instructions and product safety information before beginning the installation of this product.



US & Canada :- +1-678 666 2001