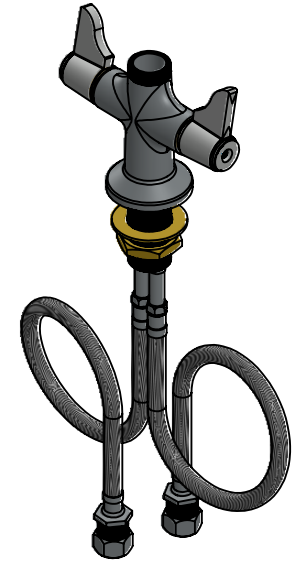
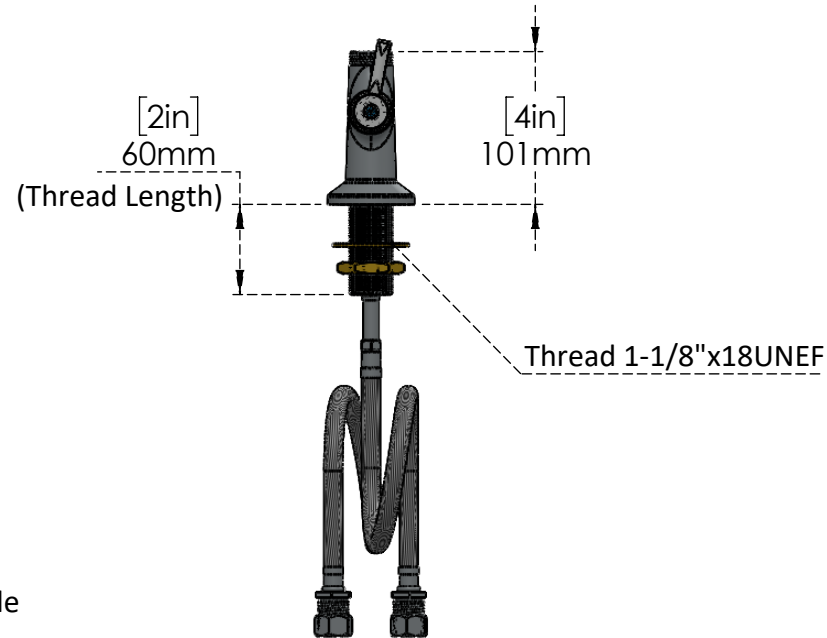
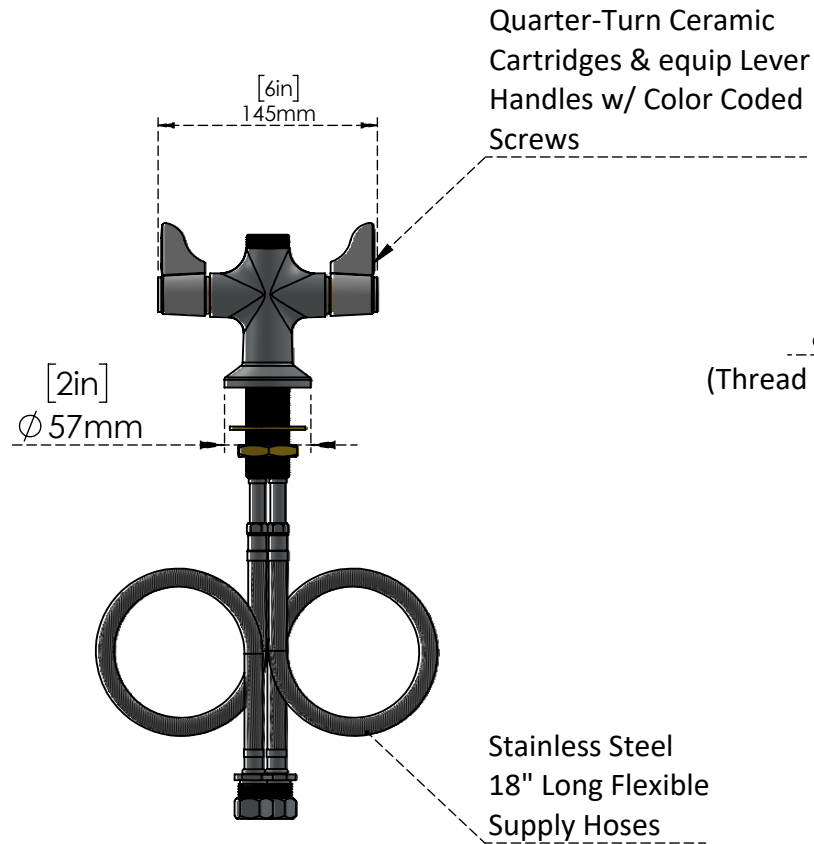


PART NO.-

C9560 Line Drawing

TITLE-

Ecoline - FAUCET DECK MOUNT SINGLE HOLE WITHOUT NOZZLE



ALUIDS

Note:- Information provided for reference only.

All dimensions are in mm, Inches (in bracket)

* This document and the information thereon is the property of Krome Dispense Pvt Ltd. & its subsidiaries. Any reproduction in part or as a whole without the written permission of Krome Dispense Pvt Ltd. is prohibited.