

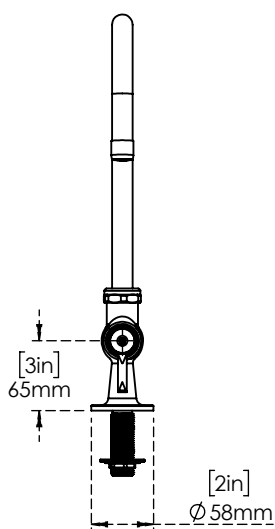
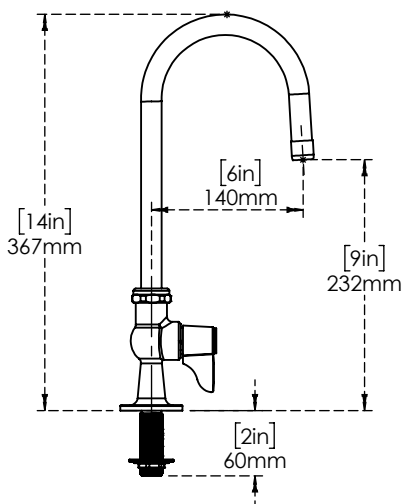
For Residential and Commercial Applications

Job Name _____
 Job Location _____
 Engineer _____
 Approval _____

Contractor _____
 Approval _____
 Contractor's P.O. No. _____
 Representative _____

Series:

Ecoline Single Deck Mount Faucet 1/2" inlet with Ceramic quarter turn cartridge – 5-1/2" swivel gooseneck C9175



Features & Benefits:

- 1/2 in X 14 BSP Male Inlet.
- 1.5 GPM Aerator.
- Cartridges Spindle : Ceramic cartridges
- Single hole single temperature deck mount faucet w/ lead free brass body
- Single lever handle.
- Pressure Max : 125 psi.
- Pressure Min: 20 psi.
- Temperature Max: 140 F.
- Temperature Min: 40 F

Performance Data:

- Pressure: 20 - 125 psi [1.38 - 8.62 bar]
- Temperature: 40° F - 140° F [4.44 C - 60 C]
- Flow rate: : 1.5 GPM @ 60 psi

Product compliance:

- California proposition 65

Warranty: one years(Limited)

Optional Cartridges:

- Quarter-Turn w/ Spring Check valve
- Quarter-Turn w/ Check Valve

NOTICE

The information contained herein is not intended to replace the full product installation and safety information available or the experience of a trained product installer. You are required to thoroughly read all installation instructions and product safety information before beginning the installation of this product.



US & Canada :- +1-678 666 2001

Krome product Specifications in U.S. customary units and metric are approximate and are provided for reference only. For precise measurements, please contact Krome Technical Service. Krome reserves the right to change or modify product design, construction, specifications, or materials without prior notice and without incurring any obligation to make such changes and modifications on Krome products previously or subsequently sold. For most updated specification sheet, go to